

## ELEMENT SERIES DESKS

Basic simplicity is the key feature of the ELEMENT series, which can be easily adapted to any interior and by creating benching systems.





ELEMENT Desk / Modesty Panel



ELEMENT Desk / Acoustic Screen



ELEMENT Benching System (Double) / Acoustic Screen



ELEMENT Benching System (Four Workstations) / Acoustic Screens

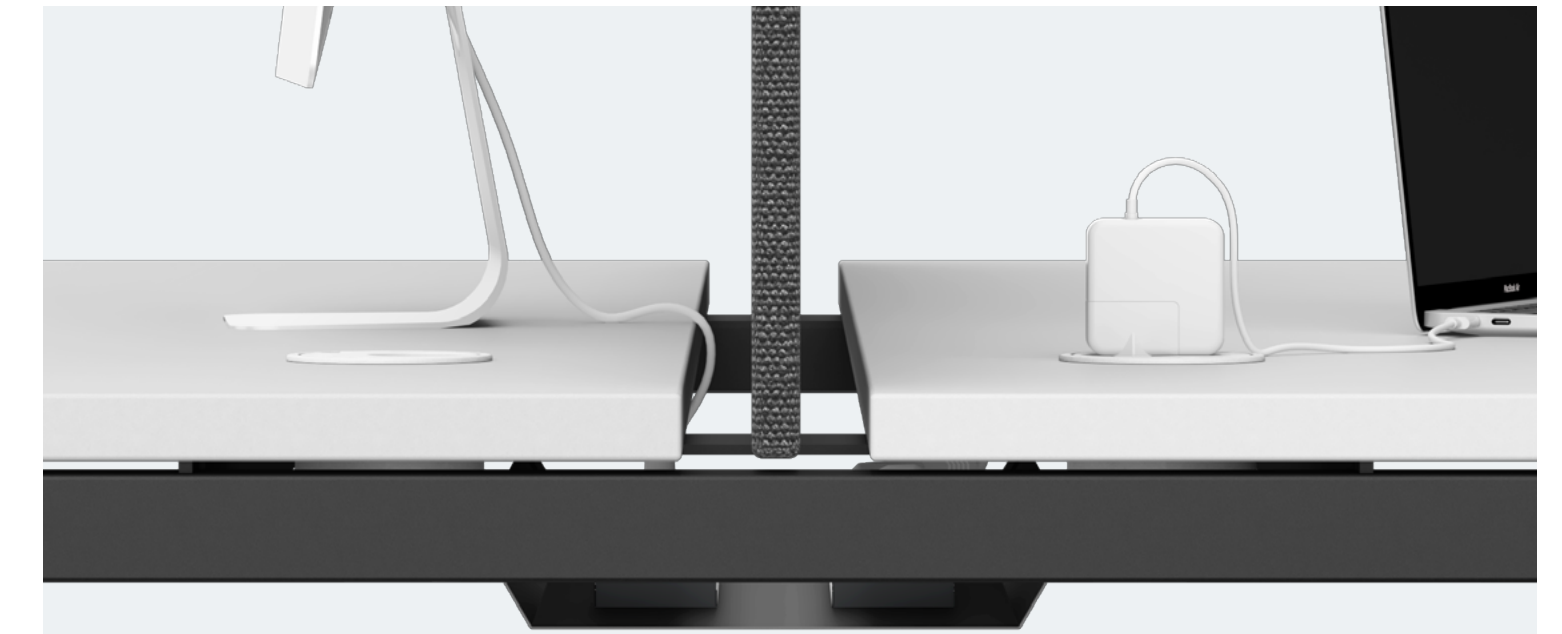
### DESK TOP

- / 25 mm Melamine Faced Chipboard (MFC) with 2 mm ABS edging
- / Optional cut-out for power hub
- / The desk top is raised 5 mm from the frame

Power hub →

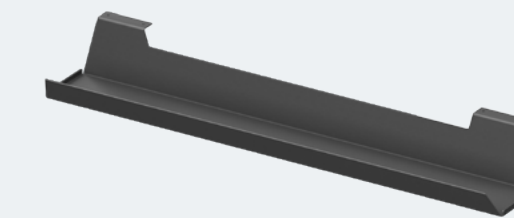


- / The desk top is raised 5 mm from the frame

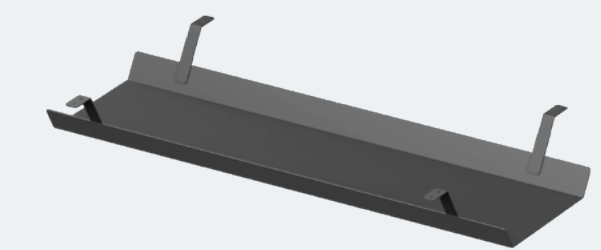


### METAL TRAY

- / Attached to the desk top.
- Powder coated



↑ Single metal tray



↑ Double metal tray

### LEGS

- / Metal profile 40x40 mm. Powder coated
- / Adjustable feet. Can be adjusted up to 10 mm



### MODESTY PANEL

- / 18 mm Melamine Faced Chipboard (MFC) with 2 mm ABS edging
- / Attached to the frame with two metal brackets



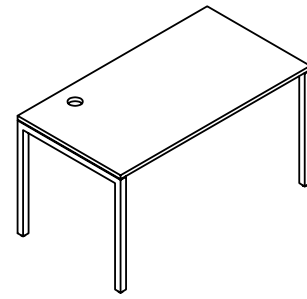
### METAL FRAME

- / Fixed length. Metal profile 40x10 mm.
- Powder coated

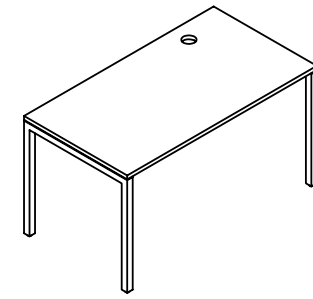
### SCREEN

- / 18 mm chipboard. Thermo-bonded wadding. Fabric
- / Attached to the desk top with two metal brackets

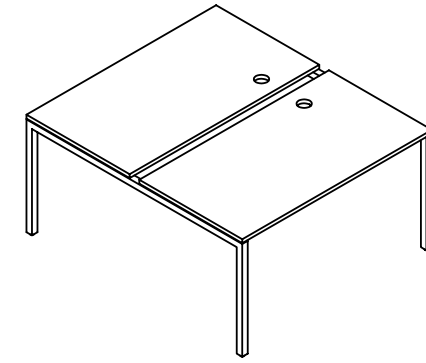




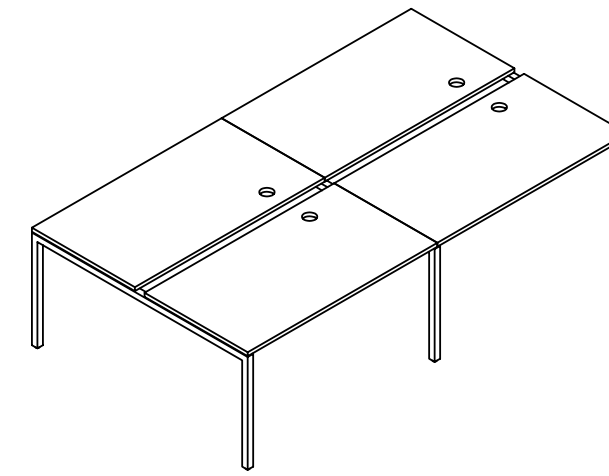
ES1.12L 1200 750 750  
 ES1.14L 1380 750 750  
 ES1.16L 1600 750 750



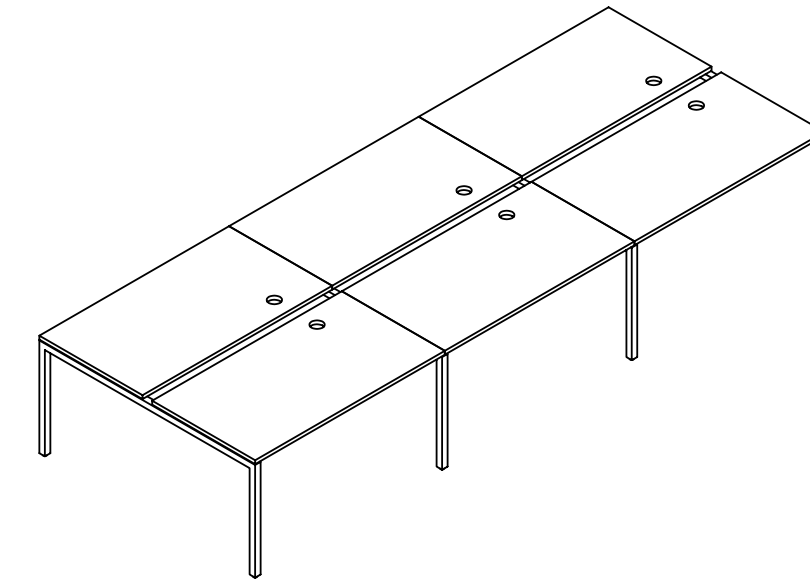
ES1.12R 1200 750 750  
 ES1.14R 1380 750 750  
 ES1.16R 1600 750 750



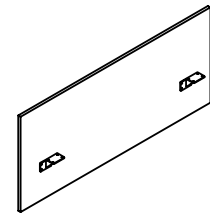
ES2.12 1200 1570 750  
 ES2.14 1380 1570 750  
 ES2.16 1600 1570 750



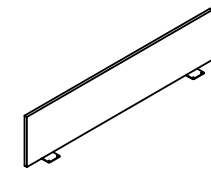
ES4.12 2400 1570 750  
 ES4.14 2760 1570 750  
 ES4.16 3200 1570 750



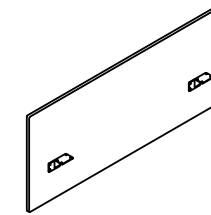
ES6.12 3600 1570 750  
 ES6.14 4140 1570 750  
 ES6.16 4800 1570 750



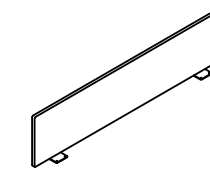
EL1.12 1200 18 600  
 EL1.14 1380 18 600  
 EL1.16 1600 18 600



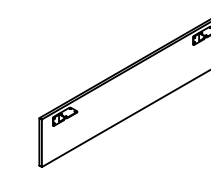
EL2.12 1170 18 315  
 EL2.14 1350 18 315  
 EL2.16 1570 18 315



EX1.12 1200 22 600  
 EX1.14 1380 22 600  
 EX1.16 1600 22 600



EX2.12 1170 22 315  
 EX2.14 1350 22 315  
 EX2.16 1570 22 315



EU.12 1080 18 300  
 EU.14 1260 18 300  
 EU.16 1480 18 300

## METAL



W3  
RAL 9003 white,  
smooth matt



G6  
RAL 9006, metallic

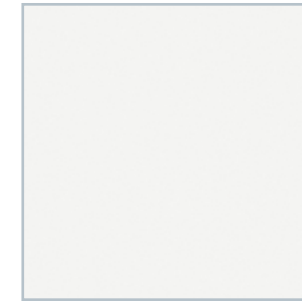


G2  
RAL 7012 basalt  
grey, smooth matt



B  
RAL 9005 black,  
smooth matt

## MFC



1  
W10003VV White,  
Pfleiderer



2  
U708 ST9 Light Grey,  
Egger



7  
U12290MP  
Anthracite,  
Pfleiderer



8  
3025 SN Light  
Sonoma Oak,  
Kronospan



6  
R20119LN American  
Oak, Pfleiderer



9  
R20168 LN  
Sherwood Mocca,  
Pfleiderer

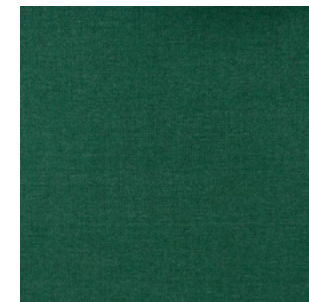
## FABRIC Viggo



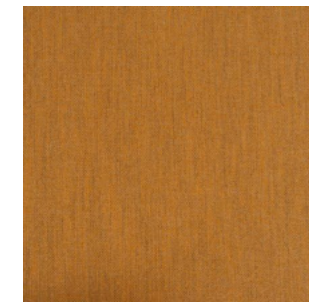
10 Sugar



36 Cinnamon



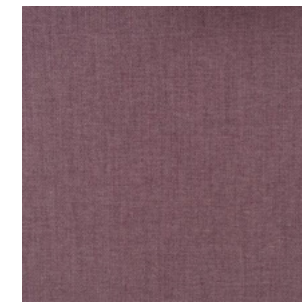
3 Avocado



5 Curry



11 Rose hip



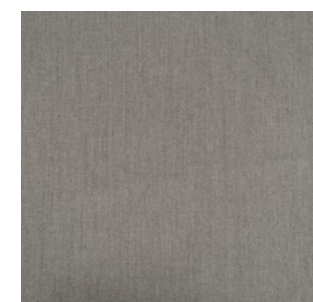
51 Lilac



32 Soda



2 Indigo



17 Tin



7 Graphite

### Manufacturer

Nevotex

### Composition

93% Polyester  
5% Cotton  
2% Nylon

### Width

140 cm

### Abrasion resistance

78 700 MD

### Weight

300 g/m<sup>2</sup>

### Pilling

4

### Flammability

BS 5852:1979 part 1  
EN 1021 1:2014