

## X-RAY SERIES DESKS

The extremely versatile height-adjustable X-RAY series can be used both in desk and bench systems.





X-RAY Single Height Adjustable  
Desk / Acoustic Screen



X-RAY Height Adjustable Benching  
System (Double) / Acoustic Screen



X-RAY Benching System (Four Workstations):  
Combination of Double Height Adjustable Benches / Acoustic Screens / Cable Trays

## FEATURES

- / Anti-collision desk sensor
- / 2 motors
- / Noise level up to 43 dB
- / Max. speed: 40 mm/s
- / Lifts up to 100 kg

## CONTROLLER

- / Adjustable height
- / Two pre-set heights



## DESK TOP

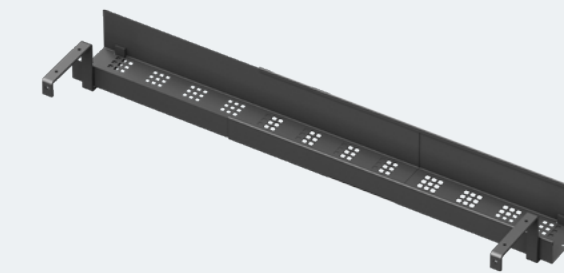
- / 18 mm Melamine Faced Chipboard (MFC) with 2 mm ABS edging
- / Optional cut-out for power hub on the right side
- / Desk top with retractable tray for cable management



- / The partition is elevated together with the desk

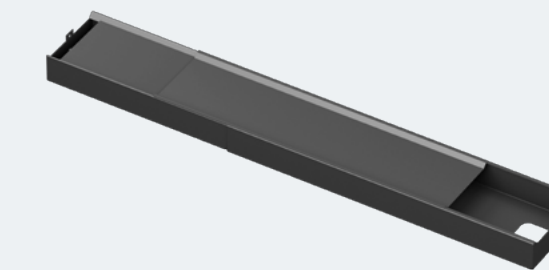
## UPPER METAL TRAY

- / Attached to the crossbar
- / Telescopic
- / Perforated plate



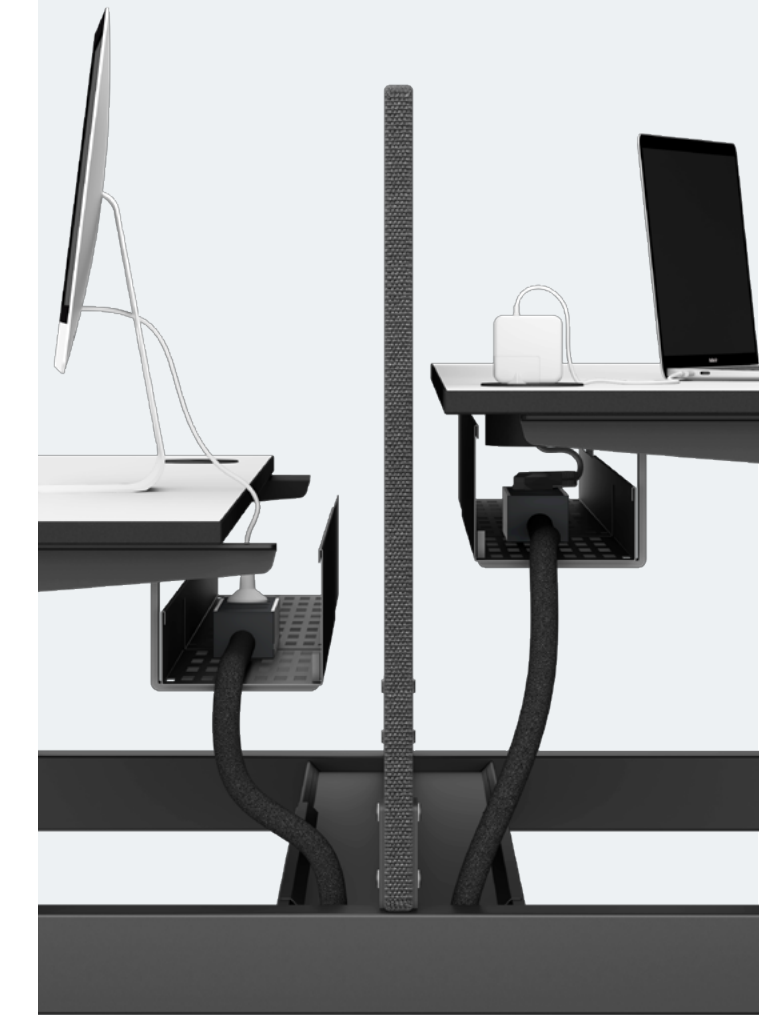
## LOWER METAL TRAY

- / Attached to the sidebar
- / Telescopic
- / Two piece cover
- / Holes for cable management



## METAL FRAME

- / Adjustable width with telescopic crossbar



## ELEVATING LEGS

- / 2-Part Stand Height Rang
- 716-1186 mm incl. MFC desk top
- Column dimensions: 70x50 mm (outer profile)
- 60x40 mm (inner profile)

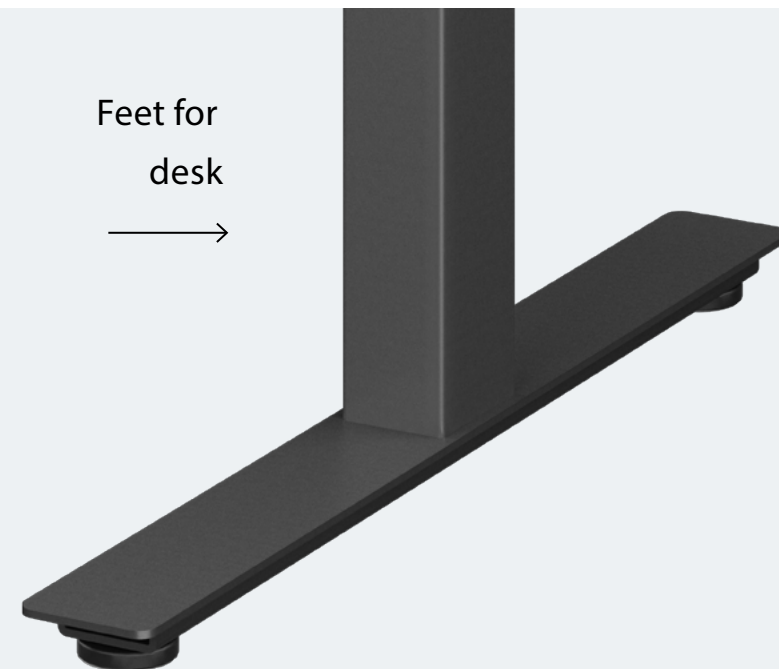
Two-Part Column Design →



## FEET

- / 700x75x31 mm
- / Can be adjusted up to 10 mm

Feet for desk →



Feet for bench desk →

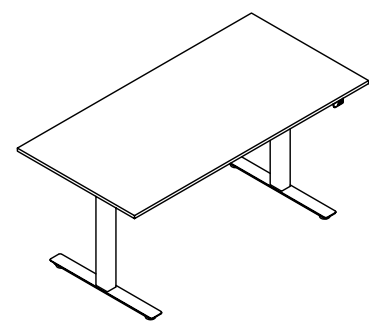


- / The partition remains stationary when raising the desk

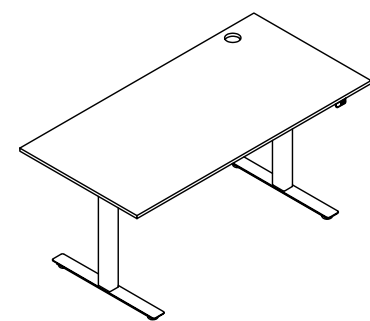
## SCREEN

- / 18 mm chipboard. Thermo-bonded wadding. Fabric
- / Attached to the sidebar with two metal brackets

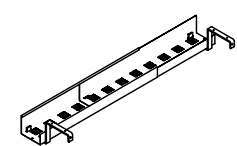




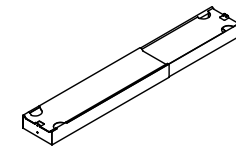
X01.14 1380 800 716-1186  
 X01.16 1600 800 716-1186  
 X01.18 1800 800 716-1186



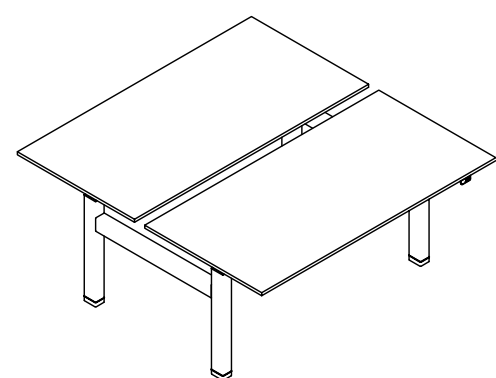
X01.14P 1380 800 716-1186  
 X01.16P 1600 800 716-1186  
 X01.18P 1800 800 716-1186



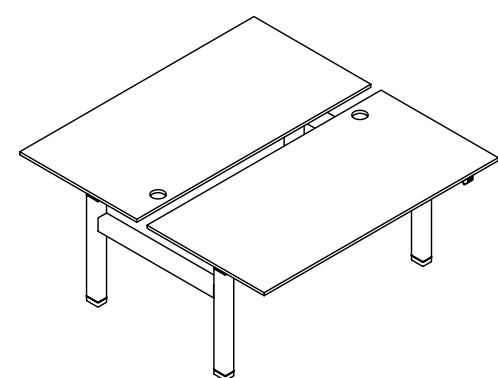
XRL 870-1470 291 130



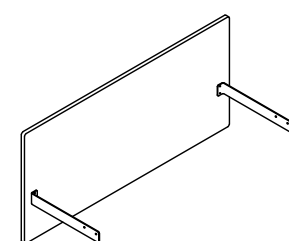
XRT 1071-141 200 77



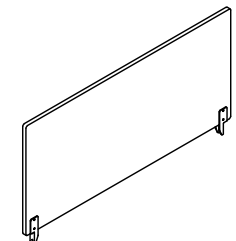
X02.14 1380 1650 716-1186  
 X02.16 1600 1650 716-1186  
 X02.18 1800 1650 716-1186



X02.14P 1380 1650 716-1186  
 X02.16P 1600 1650 716-1186  
 X02.18P 1800 1650 716-1186

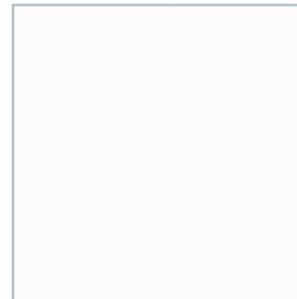


XP1.14 1180 22 650  
 XP1.16 1400 22 650  
 XP1.18 1600 22 650



XP2.14 1180 22 650  
 XP2.16 1400 22 650  
 XP2.18 1600 22 650

## METAL

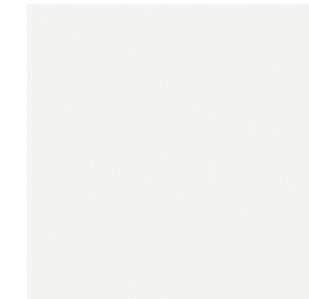


W  
RAL 9016 white,  
smooth matt

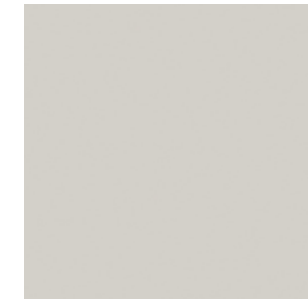


B  
RAL 9005 black,  
smooth matt

## MFC



1  
W10003VV White,  
Pfleiderer



2  
U708 ST9 Light Grey,  
Egger



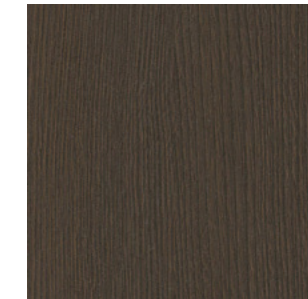
7  
U12290MP  
Anthracite,  
Pfleiderer



8  
3025 SN Light  
Sonoma Oak,  
Kronospan



6  
R20119LN American  
Oak, Pfleiderer

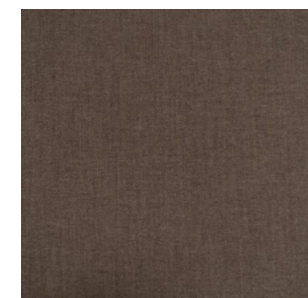


9  
R20168 LN  
Sherwood Mocca,  
Pfleiderer

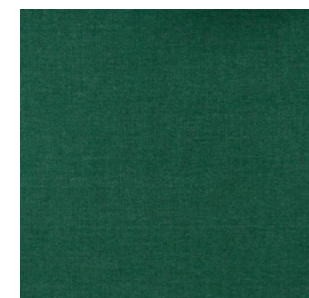
## FABRIC Viggo



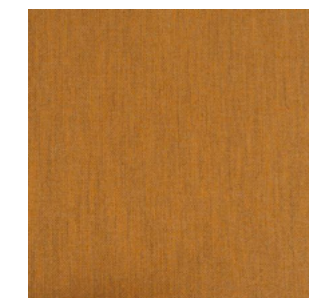
10 Sugar



36 Cinnamon



3 Avocado



5 Curry



11 Rose hip



51 Lilac



32 Soda



2 Indigo



17 Tin



7 Graphite

### Manufacturer

Nevotex

### Composition

93% Polyester  
5% Cotton  
2% Nylon

### Width

140 cm

### Abrasion resistance

78 700 MD

### Weight

300 g/m<sup>2</sup>

### Pilling

4

### Flammability

BS 5852:1979 part 1  
EN 1021 1:2014