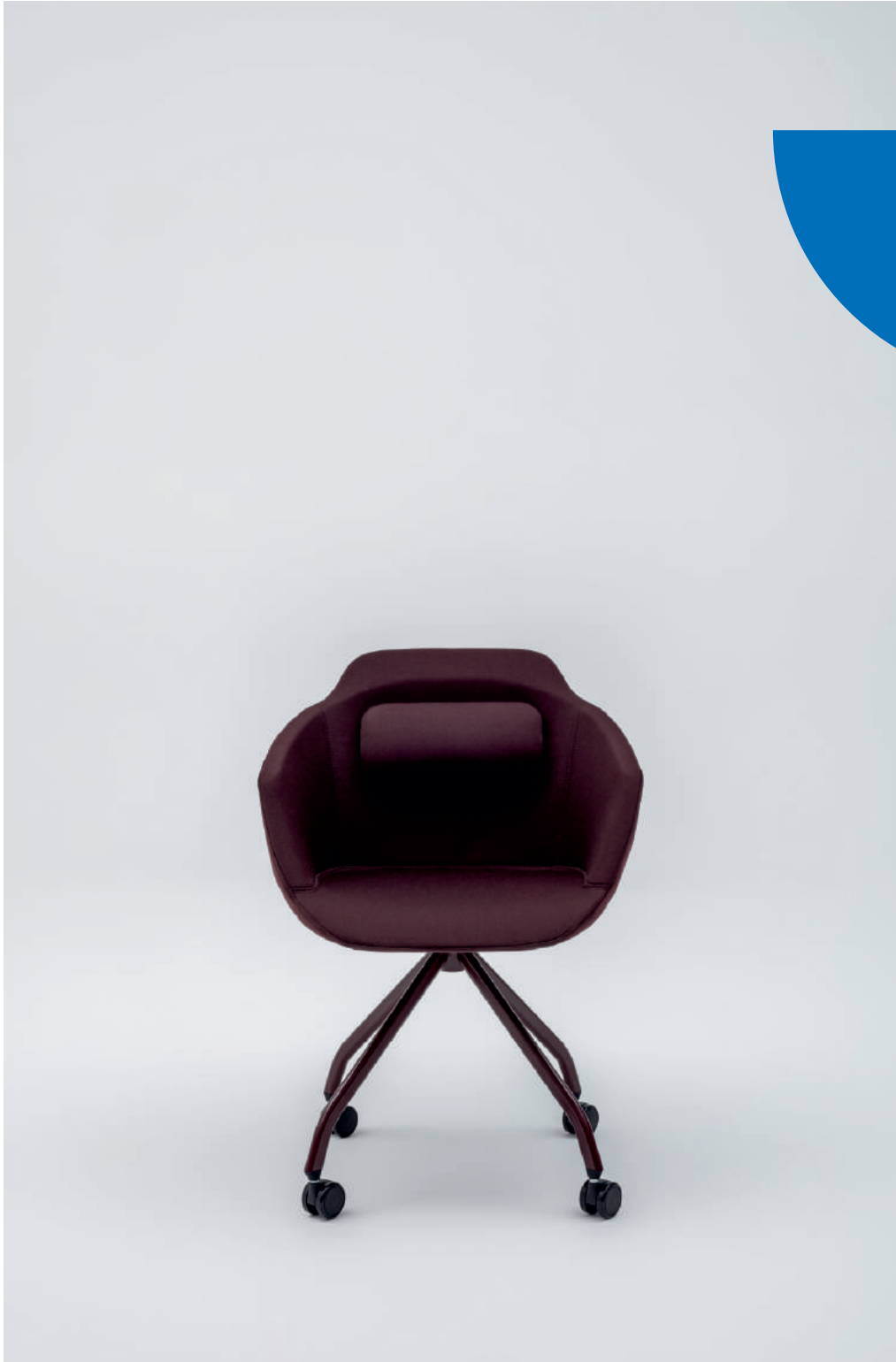


Ultra technical specification



.mdd

.mdd has a leading position among manufacturers of office furniture with many awards that prove quality and continuously increase demand for its products.

The realities of today's market require constant quality improvement at all levels of modern organization. This applies in particular to customer service, marketing, quality of products and also to quality of processes within the company. Partnership relations among employees and with business partners form a base of economic growth and success of the company.

Constant investments in innovative machinery park, optimization of management systems and an expansion of production halls allow to minimize the lead times for the product of the highest quality.

More than twenty years of experience in office furniture industry come with reference from a long list of companies and institutions to show their appreciation for an efficient and comprehensive service.

.mdd is highly aware of the environment.

Being located in the forest region with lake by its side, .mdd takes the nature seriously and invests constantly in a modern and energy-efficient solutions to preserve the local life. Company puts emphasis on waste segregation and recycling. .mdd has been awarded for the exceptional care and involvement in waste disposal. All materials used are environmentally friendly and enjoy a high 95 % rate of being recycled.



General informations:

Warranty:

.mdd products - **5 years.**
Electrical components and fabric - **2 years.**

Certificate - MFC:



Certificate - fabric:



Prizes and awards:



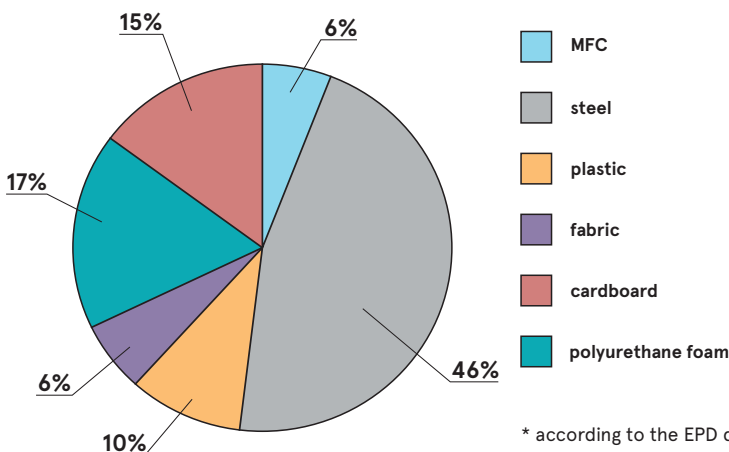
Assembly:

the product comes pre-assembled

Packing:

cardboard

Material composition *:



* according to the EPD document

Recyclability **

Recycling: 100% - Downcycling: 0%

Recycled content

34%

Co2 carbon footprint

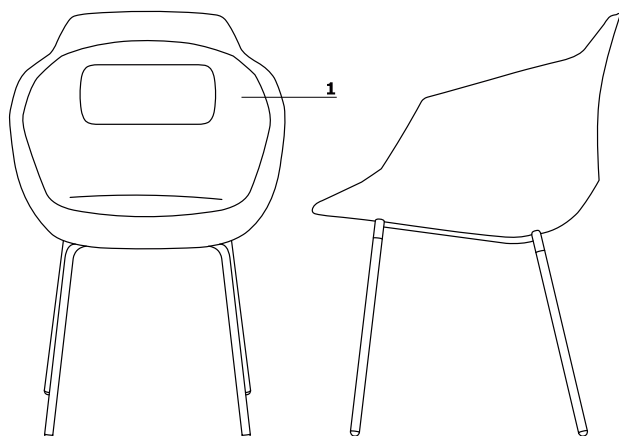
31,1 kg

** average values for a representative of the group; values may vary for other products

Ultra	Date of preparation 01.02.2023	The data contained in this document is valid in the day of its preparation. Change of the product, as long as it does not affect the basic features of it, does not require consistent updates of the document.	page 2/14 general informations
-------	--------------------------------	---	--

Technical specification

1. Seat - plastic frame filled with foam, density of 55 kg/m³, upholstered

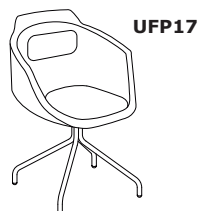


- max. load 120 kg

Ultra



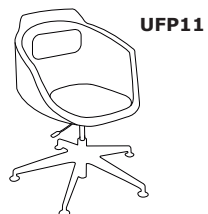
- Base UFP18K:**
- 4 - star, metal, powder coated
 - fixed seat
 - legs made of tube Ø22 mm, wall thickness 2 mm, CNC - bent
 - castors for soft floors
 - OPTION WITH EXTRA CHARGE - castors for hard floors



- Base UFP17:**
- 4 - star, metal, powder coated
 - swivel seat - 360°
 - legs made of tube Ø22 mm, wall thickness 2 mm, CNC - bent
 - legs finished with polypropylene feet



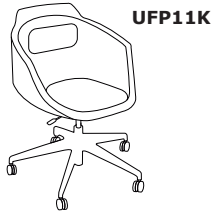
- Base UFP16:**
- 4 - legged, metal, powder coated
 - legs made of tube Ø18 mm, wall thickness 2 mm, CNC - bent
 - legs finished with polypropylene feet



- Base UFP11:**
- base 5 - star, polypropylene, Ø=680 mm, h=124 mm
 - polypropylene feet Ø=50 mm, h=32
 - gas spring, steel, colour: black, adjustment range 130 mm (400 - 530 mm)
 - swivel seat - 360°

Ultra	Date of preparation 01.02.2023	The data contained in this document is valid in the day of its preparation. Change of the product, as long as it does not affect the basic features of it, does not require consistent updates of the document.	page 3/14 technical specification
-------	-----------------------------------	---	--------------------------------------

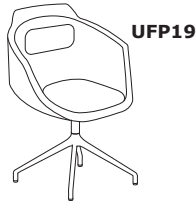
Ultra



UFP11K

Base UFP11K:

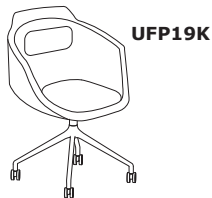
- base 5 - star, polypropylene, Ø=680 mm, h=124 mm
- castors for soft floors Ø55 mm
- gas spring, steel, colour: black, adjustment range 130 mm (400 - 530 mm)
- OPTION WITH EXTRA CHARGE - castors for hard floors
- swivel seat - 360°



UFP19

Base UFP19:

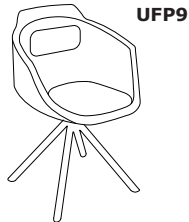
- 4 - star, aluminum, powder coated
- swivel seat - 360°
- aluminium cast
- legs finished with polypropylene feet
- OPTION WITH EXTRA CHARGE - polished aluminium



UFP19K

Base UFP19K:

- 4 - star, aluminum, powder coated
- swivel seat - 360°
- aluminium cast
- castors for soft floors
- OPTION WITH EXTRA CHARGE - castors for hard floors
- OPTION WITH EXTRA CHARGE - polished aluminium



UFP9

Base UFP9:

- 4 - star, wooden, Ø35 mm
- beechwood coated with transparent varnish
- swivel seat - 360°
- metal connecting elements, colour: black semi-matt



UFP5

Base UFP5:

- cantilever, metal, powder coated
- Ø12 mm wired legs, CNC - bent
- polypropylene feet



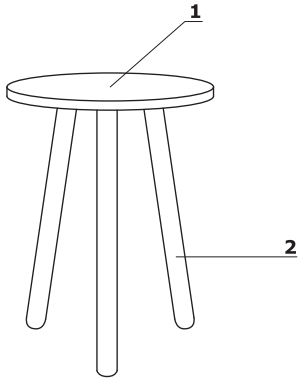
UFP15

Base UFP15:

- 4 wooden legs, Ø35 mm
- beechwood coated with transparent varnish

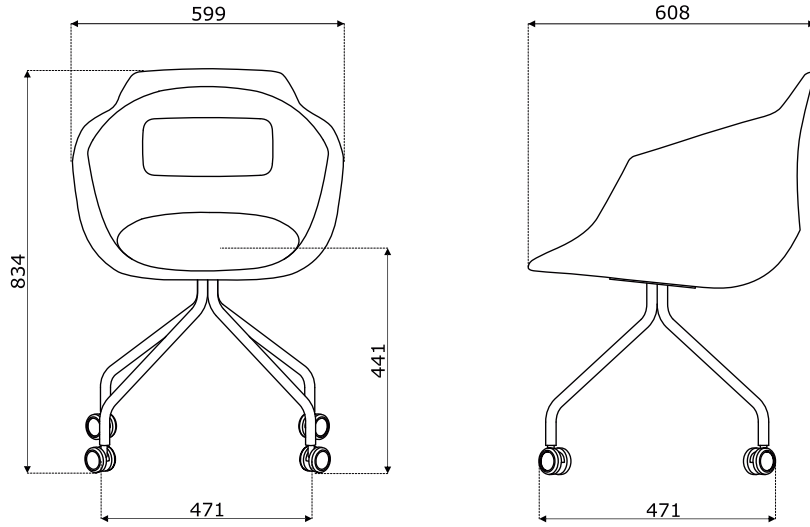
Technical specification - tables UTR

- 1. Top - MFC 18 mm, black, ABS edges 2 mm
- 2. Legs - Ø45 mm (UTR45) and Ø40 mm (UTR65), natural wood

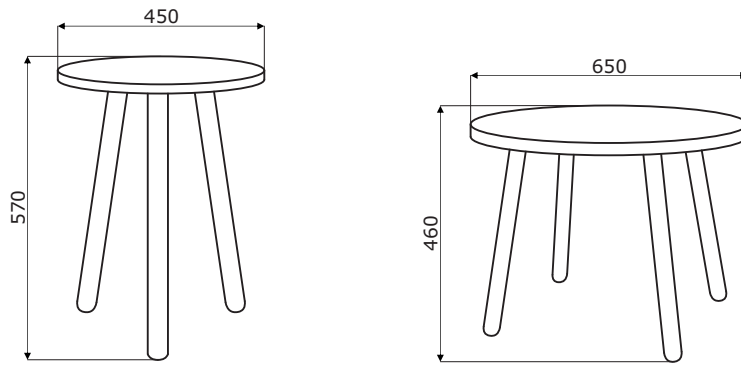


Ultra	Date of preparation 01.02.2023	The data contained in this document is valid in the day of its preparation. Change of the product, as long as it does not affect the basic features of it, does not require consistent updates of the document.	page 5/14 technical specification
--------------	-----------------------------------	---	--------------------------------------

Dimensions - Ultra



Dimensions - tables UTR



Ultra *



UFP18K
600 / 600 / 840
25 kg



UFP17
600 / 600 / 835
25 kg



UFP16
600 / 600 / 835
23,5 kg



UFP11
600 / 600 / 850
15,1 kg



UFP11K
600 / 600 / 850
16,1 kg



UFP4
600 / 600 / 850
14,3 kg



UFP4K
620 / 620 / 850
15,1 kg



UFP5
620 / 620 / 850
14,6 kg



UFP9
600 / 600 / 850
14,3 kg



UFP15
620 / 620 / 850
14,6 kg

Tables *



UTR45
450 / 450 / 570
6,3 kg



UTR65
650 / 650 / 460
8,5 kg

* dimensions expressed in millimeters: width x depth x height

Ultra	Date of preparation 01.02.2023	The data contained in this document is valid in the day of its preparation. Change of the product, as long as it does not affect the basic features of it, does not require consistent updates of the document.	page 7/14
			products

Fabric Medley - second price group



Technical data:

Material polyester 100%

Fabric weight 510 g/lm (16.45 oz./lin.yd.)

Abrasion resistance rubs BS EN ISO 12947-2, 75,000 cykli Martindale

Pilling resistance scale 1-5, max. 5, EN ISO 12945-2 (4)

Colour fastness to light scale 1-8, max. 8, EN ISO 105-B02 (5-7)

Colour fastness to rubbing scale 1-5, max. 5, EN ISO 105x12 (wet/dry (4-5/4-5))

Acoustic test sound absorption ISO 354

Flammability BS EN 1021-1 (cigarette)
BS 476 Part 7, Class 2
Class Uno UNI 9174 - UNI 8457
CA TB 117-2013
ASTM E 84 Class I

Fabric Atlantic * - second price group



Technical data:

Material polyester 100%

Fabric weight 530 g/lm (17.09 oz./lin.yd.)

Abrasion resistance rubs BS EN ISO 12947-2, 110,000 Martindale cycles

Pilling resistance scale 1-5, max. 5, EN ISO 12945-2 (4-5)

Colour fastness to light scale 1-8, max. 8, EN ISO 105-B02 (5-7)

Colour fastness to rubbing scale 1-5, max. 5, EN ISO 105x12 (wet/dry)

Flammability CA TB 117-2013
ASTM E 84 Class I
BS EN 1021-2 (match)
BS EN 1021-1 (cigarette)

Fabric Vita - second price group



Technical data:

Material Surface: 98,5% PVC, 1,5% PU
Substrate: 50% poliester, 50% Cotton

Fabric weight 850g/m2 ± 10% (1190G/lin. m ± 10%)

Abrasion resistance rubs BS EN ISO 5470-2, 100,000 Martindale cycles

Colour fastness to light 6 (ISO 105 - B02)

Colour fastness to rubbing wet: 4, dry: 4 (ISO 105 - X12)

Flammability BS EN 1021 - (cigarette)
BS EN 1021 - 2 (match)
BS 5852 - (Ignition Source 5)
BS 7176 - (Medium Hazard)

Flexes BS EN ISO 7854 - Method B, 400.000 Flexing cycles

Anti-microblal / Anti-fungal AATCC 147

* There is a possibility of ordering the product in full colour spectrum of Atlantic range, as per Gabriel's pattern book, within 8 weeks

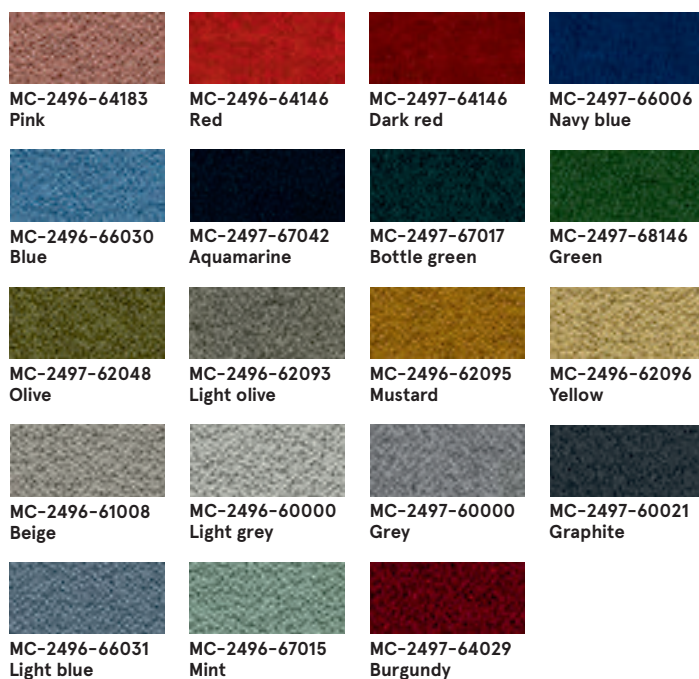
Fabric Charles * - second price group



Technical data:

Material	100% polyester
Fabric weight	433g/m2
Abrasion resistance rubs	90,000 Martindale cycles (EN ISO 12947-2)
Pilling resistance	EN ISO 12945-2, 5
Light fastness	EN ISO 105-B02, 5
Rubbing fastness	dry: 4-5, wet: 4-5, EN ISO 105x12
Flammability	EN 1021, 1

Fabric Mica - second price group

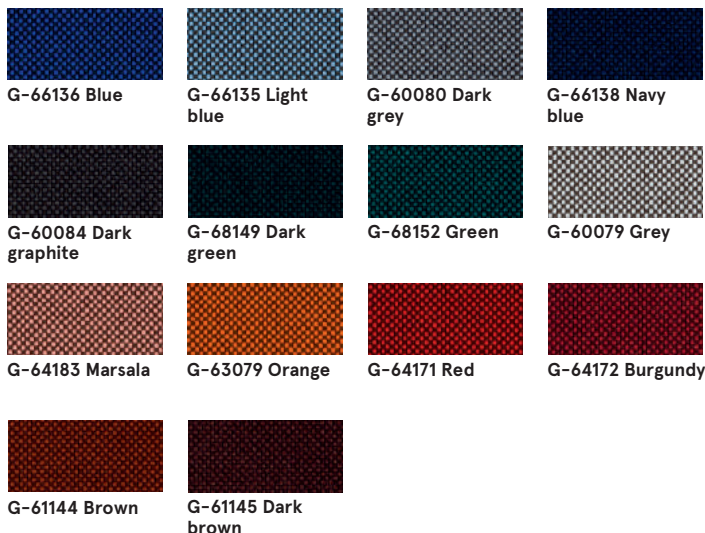


Technical data:

Material	post-consumer recycled polyester 97%, polyester 3%
Fabric weight	305 g/lm
Abrasion resistance rubs	60,000 rubs martindale (EN ISO 12947-2)
Pilling resistance	scale 1-5, max. 5 - EN ISO 12945-2, 4-5
Light fastness	scale 1-8, max. 8 - EN ISO 105-B02, 5-8
Rubbing fastness	dry: 4-5, wet: 4-5, scale 1-5, max. 5 - EN ISO 105x12
Flammability	CA TB 117-2013 ASTM E 84 Class I BS EN 1021-1 Cigarette BS EN 1021-2 Match BS 476 Part 7 class I

* There is a possibility of ordering the product in full colour spectrum of Charles range, as per Dekoma pattern book, within the standard delivery time.

Fabric Go Check - second price group



Technical data:

Material 100% Trevira CS
Fabric weight 435g/lm
Abrasion resistance rubs 80,000 rubs martindale (EN ISO 12947-2)
Pilling resistance scale 1-5, max. 5 - EN ISO 12945-2, 5
Light fastness scale 1-8, max. 8 - EN ISO 105-B02, 5-8
Rubbing fastness dry: 4-5, wet: 4-5, scale 1-5, max. 5 - EN ISO 105x12
Flammability BS EN 1021 1&2 Cigarette and Match
 BS EN 1021-1 Cigarette
 BS 5852 Crib 5
 BS 7176 Medium hazard
 DIN 4102 - B1
 NFP 92-503/504/505 M1
 ÖNORM A3800-B1-B3825-Q1 UK
 Class Uno UNI 9175 Class 1 I EMME
 FAR/JAR 25.853 (a) (i) (ii)
 CA TB 117-2013
 DIN EN 13501-1 B-s1,d0
 AM 18 - NF D 60-013-(only for fabric)

Fabric Synergy - third price group



Technical data:

Composition 95% Virgin Wool, 5% Polyamide
Fabric weight 400g/m2 (560g/lm)
Abrasion resistance rubs 100.000 Martindale cycles
Colour fastness to light ISO 105 - B02 5
Colour fastness to rubbing EN ISO 105x12 4-4
 (dry/wet)
Flammability EN 1021 - 1&2 (cigarette & match)
 BS 7176 Low Hazard
 NF D 60-013
 ÖNORM B 3825 & A 3800-1 (58 kg/m3 CMHR Foam)
 UNI 9175 Classe 1 IM
 EN 13501-1 Adhered Class D, s1, d0
 IMO FTP Code (Part 8)
 The Furniture and Furnishing (Fire) (Safety) Regulations 1988 (Domestic Cigarette and Match)
 BS 5852 Ignition Source 5 when FR treated
 BS 7176 Medium Hazard when FR treated
 EN 13501-1 Adhered Class B, s1, d0 when FR treated
 EN 13501-1 Un-adhered Class D, s2, d0 when FR treated
 BS 5867-2: Type B Curtains & Drapes when FR treated

Fabric Silvertex – third price group

There is a possibility of ordering the product in full colour spectrum of Silvertex range, as per Spradling’s pattern book, within 15 working days.

Technical data:

Material	Topcoat: 100% Vinyl Backing: 100% Polyesterr Hi-Loft™
Fabric weight	685 gr/m2
Abrasion resistance	>300,000 cycles Martindale
UV-resistance	>= 7 (1000 hours, blue wool scale)
Cold Crack resistance	-23°C
Flame retardancy	NF P 92-503 / M2 EN 1021, Part 1&2 DIN 4102 B2 ÖNORM B 3825, Gruppe I – Schwerbrennbares Verhalten ÖNORM A 3800, Teil I, Qualmbildungsklasse QI – schwachqualmend IMO Res. MSC.307 (88) (2010 FTP Code) Annex I Part 8 (MED) Marine Equipment Directive in its current valid version UNI 91 75 (1987) / UNI 9175/FAI (1994) Classe I.IM (uno I EMME) UNE 23.727-90 IR /M2 EN 71-2: 2006+AI: 2007 Safety of Toys – Part 2: Flammability ECE R 11 8 (replaces Directive 95/28/EC) FMVSS 302 FAR 25/853
Antimicrobial	Antifungal Protection, Antibacterial Protection, Antimycotic Protection

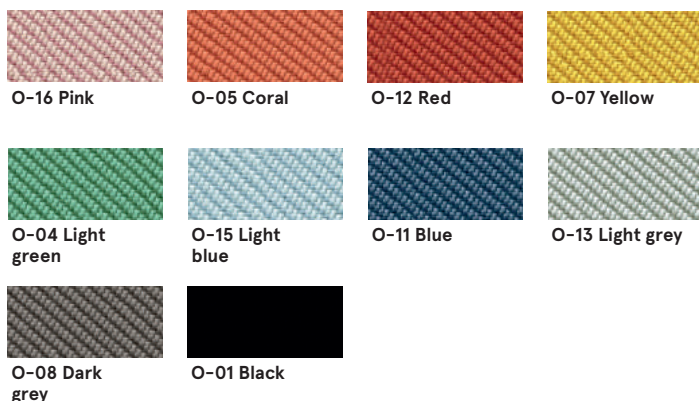
Fabric Tessa – third price group



Technical data:

Material	95% polyester, 5% acrylic
Fabric weight	500g/m2
Abrasion resistance rubs	75,000 Martindale cycles (EN ISO 12497-2)
Pilling resistance	EN ISO 12945-2, 4-5
Light fastness	EN ISO 105-B02, 4
Rubbing fastness	dry: 4-5, wet: 4-5, EN ISO 105x12

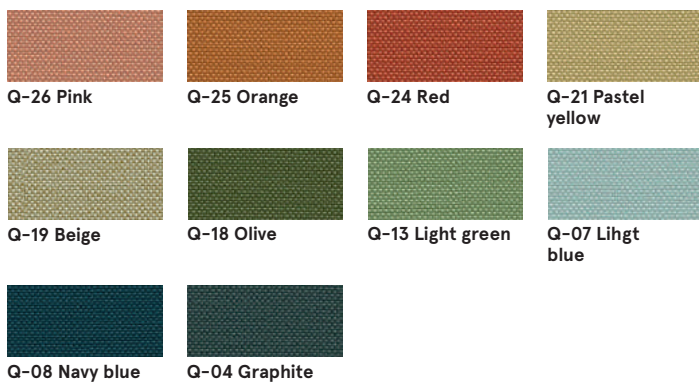
Fabric Oceanic – third price group



Technical data:

Material	100% post-consumer recycled polyester
Fabric weight	497g/m2
Abrasion resistance rubs	100,000 Martindale cycles (EN ISO 12947-2)
Pilling resistance	EN ISO 12945-2, 5
Light fastness	EN ISO 105-B02, 5
Rubbing fastness	dry: 4, wet: 4, EN ISO 105x12
Flammability	EN 1021, - 1&2 (Cigarette and Match) BS 7176 Low Hazard BS 5852 Ignition Source BS 7176 Medium Hazard

Fabric Quest - third price group



Technical data:

Material 100% post-consumer recycled polyester
Fabric weight 330g/m2
Abrasion resistance rubs 100,000 Martindale cecles (EN ISO 12947-2)
Light fastness EN ISO 105-B02, 4-6
Rubbing fastness dry: 4, wet: 4, EN ISO 105x12
Flammability EN 1021, - 1&2 (Cigarette and Match)
 BS 7176 Low Hazard
 UNI 9175 Classe 1 IM
 BS 476 Part 7 Class 1Y (Adhered)
 EN 13501-1 Adhered Class B, s1, d0
 EN 13501-1 Un-adhered Class B, s1, d0
 BS 5852 Ignition Source 5 with EnviroFlam5
 BS 7176 Medium Hazard with EnviroFlam5
 IMO FTP Code (Part 8) with EnviroFlam5

Fabric Grain - third price group



Technical data:

Material 92% post-consumer recycled polyester
 8% polyester
Fabric weight 615g/m2
Abrasion resistance rubs 100,000 Martindale cecles (EN ISO 12947-2)
Pilling resistance EN ISO 12945-2, 5
Light fastness EN ISO 105-B02, 5-7
Rubbing fastness dry: 4-5, wet: 4-5, EN ISO 105x12
Flammability BS EN 1021 1&2 Cigarette and Match
 CA TB 117-2013

Fabric Atlas - fourth price group



Technical data:

Material 90% new wool, 10% nylon
Fabric weight 286g/m2, 400g/lm
Abrasion resistance rubs 100,000 cykli Martindale, EN ISO 12947
Colour fastness to light ISO 105 B02: 6-7
Colour fastness to rubbing ISO 105-X12:2001, (wet/dry) 4-5/4-5
Flammability BS EN 1021-2 Match, BS EN 1021-1 Cigarette,
 BS 5 5852 Crib 5, BS 5852 ignition source 3,
 BS 5852 Part 1, NF D 60 013, UNI 9175 1IM,
 US Cal. Bull. 117-2013

Leather - fourth price group



Technical data:

Material Leather type - corrected grain leather
 Type of finishing - pigmented leather
Abrasion resistance rubs Dry: 500 cycles - min. 4 grey scale
 Wet: 250 cycles - min. 4 grey scale
 UNI EN ISO 11640
Colour fastness to light Light fastness: min. 4 grey scale,
 UNI ISO 105-802
Flammability No ignition
 UNI EN 1021-1-2006
 BS EN 1021-1-2006

Metal - base - UFP18K, UFP17, UFP16, UFP19, UFP19K, UFP

 M010 Light grey semi-matt RAL7044	 M011 Dark grey semi-matt RAL7042	 M012 Dark green semi-matt RAL6012	 M013 Burgundy semi-matt RAL3007
 M014 Red semi-matt RAL3016	 M016 Pearl white semi-matt RAL1013	 M026 Olive semi- matt RAL6013	 M027 Blue semi- matt RAL5003
 M028 Brick red semi-matt RAL0404040	 M029 Yellow semi- matt RAL0807060	 M030 Beige semi- matt RAL0608005	 M115 Black semi-matt RAL9005
 M154 Anthracite semi-matt RAL7043	 Polished aluminum *		

Base - UFP11, UFP11K



Black

Base - UFP9, UFP15



Beech



Black

Castors



Black

Tables UTR - top

 08 Black	 26 Aluminum satinato	 31 Canadian oak	 39 Polar birch
 64 Cocoa	 67 White pastel	 106 Lowland walnut	 154 Anthracite
 167 Grey oak	 168 Natural oak	 169 Honey oak	 170 Acacia
 171 Dark walnut			

* option with extra charge - UFP19, UFP19K

Base - tables



Beech



Black
